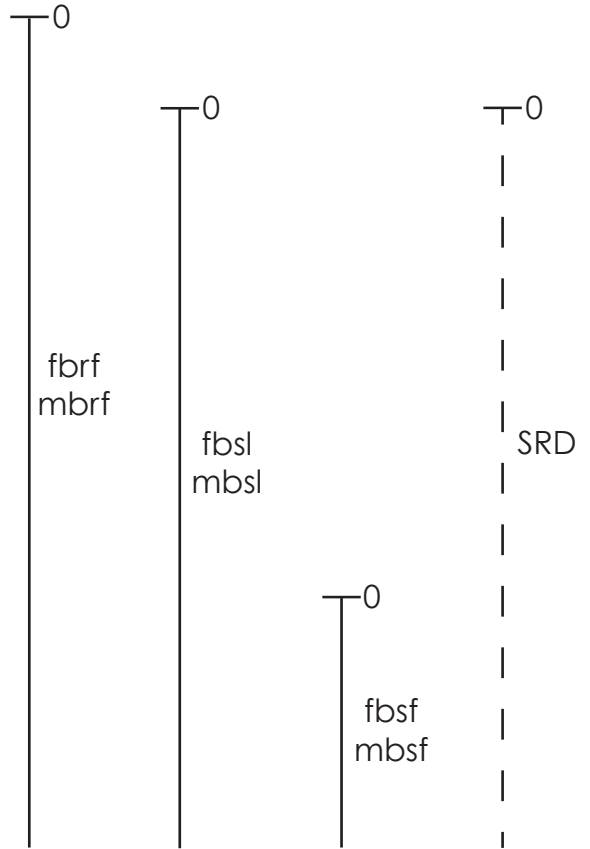


depth scales used with zero reference

1 m = 3.28 ft



— measured depth

fbrf: ft below rig floor      mbrf: m below rig floor  
 fbsl: ft below sea level      mbsl: m below sea level  
 fbsf: ft below sea floor      mbsf: m below sea floor

- - inferred depth

SRD: seismic reference depth, determined from velocity model. Can be in m or ft.